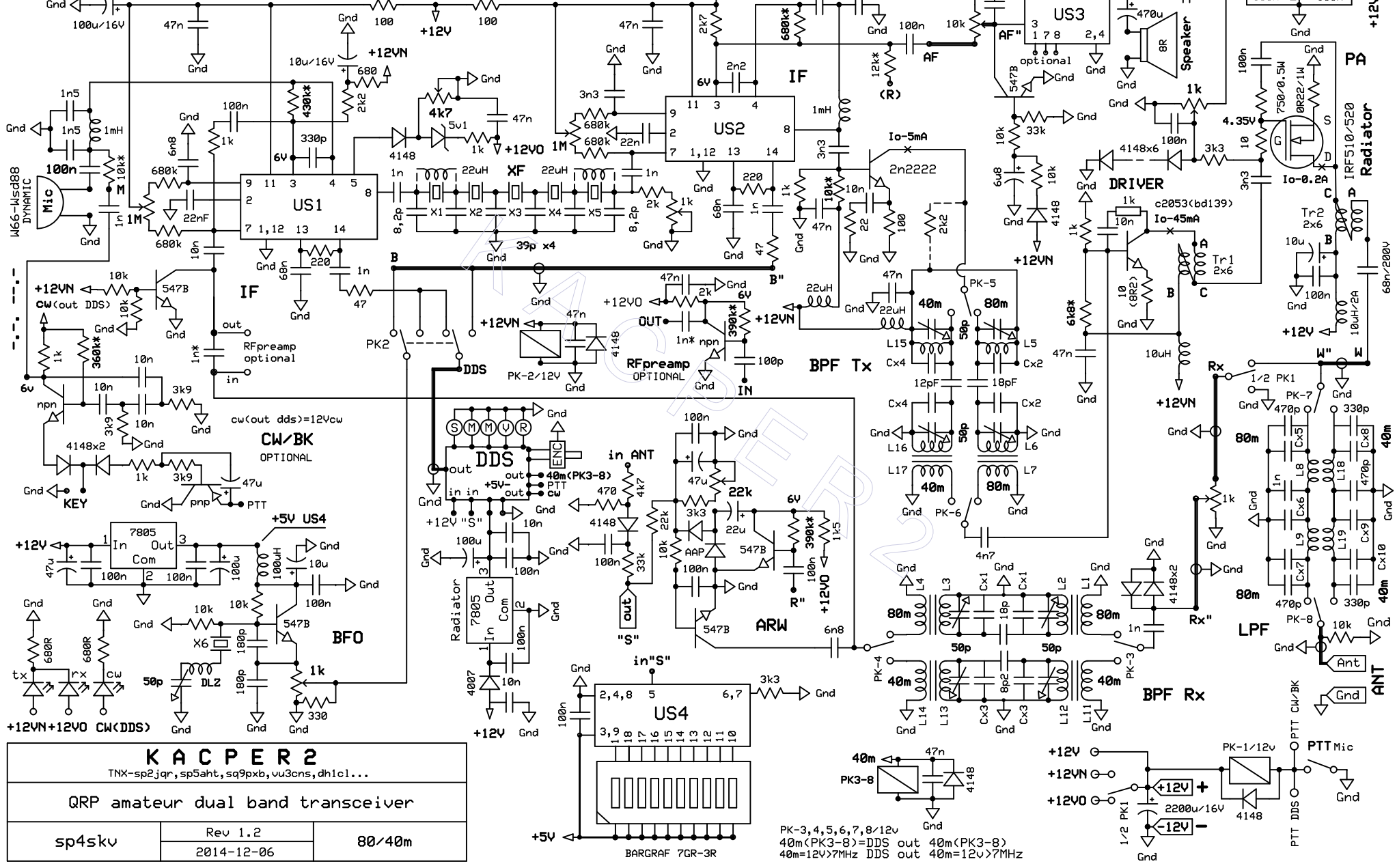


X1-X6 8MHz HC49s
S, M, V, R - Step, Mem, Mode, Vfo, Rit
DDS - AD9850+Atmega(hex. sq9pxb)
DDS - AD9850+Pic16F628(hex. vu3cns)
DDS - AD9850/AD9851/Si570...+ Atmega, Pic...(hex. ???)



KACPER 2

TNX-sp2jqr, sp5aht, sq9pxb, vu3cns, dh1cl...

QRP amateur dual band transceiver

sp4skv	Rev 1.2	80/40m
	2014-12-06	

PK-3, 4, 5, 6, 7, 8/12V
 40m(PK3-8)=DDS out 40m(PK3-8)
 40m=12V>7MHz DDS out 40m=12V>7MHz